



**Luxury Yacht Tenders**

CC110 | CC130 | CC160 | CC180

# Inspiration for a new standard

After a lavish New Year's Eve celebration in St. Barth's, Mark and Natalia, dressed to the nines, made their way back down the dock. Seasoned boaters, they secured their shoes and belongings into a garbage bag to stay dry.

From the inflatable tender he extended his hand to help her board. But even keen balance and years of experience could not save her from slipping on the wet rubber tube. She plunged into the dark, cold water below. Not about to let go, and with very little to retain him, he was pulled in after her. They surfaced, drenched in defeat, him with a dislocated shoulder and both feeling there had to be a better way.



A tender designed and built around comfort and safety for the most precious cargo you carry; **you and your loved ones**

— Welcome Aboard —

# The tender you'll actually love using

## Operate Effortlessly

The advanced hull design and intuitive controls enable operators to easily adapt to any condition. Whether cruising at speed or idling in to dock, you are always in control.



## Board Safely

With increased lateral stability, high freeboard and a wide teak step-rail, boarding with safety and confidence is easier than ever.



## Carry Everything

Securely store your valuables and gear inside the gunwale hatches, ski lockers, forward bow locker, water tight trunk, and below seating compartments.



## Stay Dry

Every Carbon Craft is distinguished by a colorful closed-cell foam collar that not only protects the tender, but also deflects spray while underway. Offering passengers an extremely dry ride.



## Relax in Comfort

Utilizing every inch of available space, the signature interiors of each model surround guest's in comfort and luxury. With Deep Sofa-like seating, you'll feel at home anywhere you go.



## Arrive In Style

The tender is an extension of your yacht and it is important to keep guests feeling comfortable and safe. Carbon Craft will help bring you to shore comfortably, safely and always in style.





## Exhilarating Power

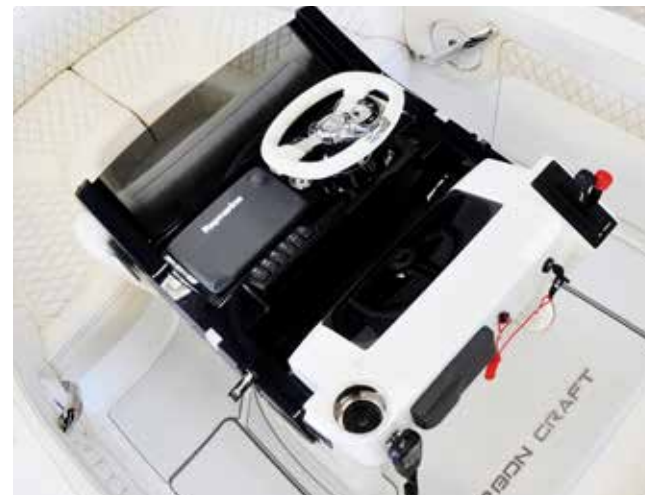
The most recent addition to our luxury line, The CC180 continues to uncover the true essence of a tender. A versatile everyday luxury tender that offers an abundance of features and optimal space for your guests and all of their belongings. With the optional 295 hp turbo diesel, we put an incredible amount of power in your hands so you can take on the open ocean.

### Responsive Performance



Reliable Power & Performance

### Intelligent Design



Folding Helm for Low Clearance

### Luxury Comfort



Deep 'Sofa-Style' Seating



## CC180 Specifications

Length	18'6"   5.64 m
Beam	6'9"   2.06 m
Draft	14"   .36 m
Engine	250 HP FNM Diesel-Jet 260 HP Yanmar Diesel-Jet 295 HP FNM Diesel-Jet
Top Speed	43 Knots   50 mph   80 kph
Seating	10 Adults
Weight	2800 - 2950 LBS   1270 - 1340 Kg
Fuel Capacity	24 Gallons   90 Liters
Fresh Water	7 Gallons   26.5 Liters

### Special Features

- + Carbon Fiber construction
- + ZF transmission with true neutral
- + Jet backflush
- + Inboard jet clean-out
- + Independent throttle & bucket control
- + Full walkaround cockpit
- + Closed-cell foam collar
- + Waters edge swim platform
- + High freeboard

### Available Options



295hp FNM Diesel



Custom Canopy



Removable Table



Teak Decking

*\*See page 17 for full list of standard features and options*





## Functional Style

Designed and produced with the same attention to detail as our Flagship CC180, the Carbon Craft 160 offers flexibility, functionality and high quality luxury appointments. Powered by an optional diesel engine utilizing hydraulic steering and independent controls, the CC160 is incredibly easy to handle. With industry leading seating and storage, It is the perfect fit for your family and your yacht.

### Smooth Dry Ride



Advanced Hull Design

### Easy Maneuverability



Independent Throttle & Bucket Control

### Luxury Comfort



Deep 'Sofa-Style' Seating



## CC160 Specifications

Length	16'9"   5.11 m
Beam	6'1"   1.85 m
Draft	11"   .28 m
Engine	110 HP Yanmar Diesel-Jet 135 HP FNM Diesel-Jet 155 HP Textron MPE 850 Gasoline-Jet
Top Speed	31 Knots   35 mph   57 kph
Seating	9 Adults
Weight	1400 - 1950 LBS   635 - 885 Kg
Fuel Capacity	24 Gallons   90 Liters
Fresh Water	7 Gallons   26.5 Liters

### Special Features

- + Carbon Fiber construction
- + ZF transmission with true neutral
- + Jet backflush
- + Inboard jet clean-out
- + Independent throttle & bucket control
- + Full walkaround cockpit
- + Closed-cell foam collar
- + Waters edge swim platform
- + High freeboard

### Available Options



Diamond Quilting



Integrated Cooler



Gunwale Storage



Boarding Ladder

*\*See page 17 for full list of standard features and options*





## Innovative Design

With the available 155 horsepower turbo-charged jet, the Carbon Craft 130 is incredibly powerful and agile. Paired with over 30% more interior volume and exponentially more storage than competitors, it's easy for others to get tender envy. Easily tow a variety of water toys and offer responsive performance to wakeboarders and skiers alike. With its user-friendly seating design, the Carbon Craft 130 can comfortably service a four stateroom yacht, providing plenty of space for you and your guests.

### Optimized Space



Deep Bow Seating

### Advanced Control



Responsive Steering and Throttle

### Watersport Ready



Large Platform & Optional Ski-tow



## CC130 Specifications

Length	13'6"   4.11 m
Beam	6'   1.83 m
Draft	9"   .22 m
Engine	120 HP Textron MPE 850 Gasoline-Jet 155 HP Textron MPE 850 Gasoline-Jet
Top Speed	39 Knots   45 mph   72 kph
Seating	7 Adults
Weight	1050 - 1175 LBS   475 - 530 Kg
Fuel Capacity	13 Gallons   49 Liters
Fresh Water	7 Gallons   26.5 Liters

### Special Features

- + Carbon Fiber Construction
- + Independent throttle & bucket control
- + Full walkaround cockpit
- + Closed-cell foam collar
- + Bow center console with cupholders
- + Waters edge swim platform
- + High freeboard

### Available Options



Teak Cockpit



Integrated Cooler



Collapsible Hardtop



2-Tone Collar

*\*See page 17 for full list of standard features and options*

CC130





## A Joy to Ride

Whether it's a relaxing day in the sun or an afternoon of shopping at your port of call, the Carbon Craft 110 never disappoints. Combining superb comfort with outstanding versatility, the 110 is the perfect tender to fulfill all of your needs, wants and desires... Agile, sleek and powerful, yet incredibly practical.



### CC110 Specifications

Length	11'6"   3.5 m
Beam	5'8"   1.73 m
Draft	9"   .22 m
Engine	120 HP Textron MPE 850 Gasoline-Jet
Top Speed	38 Knots   44 mph   70 kph
Seating	5 Adults
Weight	850 - 975 LBS   385 - 440 Kg
Fuel Capacity	13 Gallons   49 Liters
Fresh Water	7 Gallons   26.5 Liters

### Special Features

- + Carbon Fiber Construction
- + Full walkaround cockpit
- + Closed-cell foam collar
- + Bow center console with cupholder
- + Waters edge swim platform
- + High freeboard

### Spatious Seating



Comfort for Everyone

### Sport-Style Dash



Low-Profile Ergonomic Layout

### Easy Access Storage



Large Anchor Locker & Bow Storage

### Available Options



Fresh Water Shower



Premium Audio



Gunwale Storage



Removable Bimini

*\*See page 17 for full list of standard features and options*





## CC180

**2800 - 2950lbs | 1270 - 1340kg**

Length **18'6"** | 5.64m      Beam **6'9"** | 2.06m      Draft **14"** | .36m

Power

**250 HP** Jet Propelled FNM Turbo Diesel  
**260 HP** Jet Propelled Yanmar Turbo Diesel  
**295 HP** Jet Propelled FNM Turbo Diesel

**Top Speed 43 kn | 50mph | 80kph**

Capacity

Seating **10 Adults**      Fuel **24G** | 90L      Water **7G** | 26.5L



## CC160

**1400 - 1950lbs | 635 - 885kg**

Length **16'9"** | 5.11m      Beam **6'1"** | 1.85m      Draft **11"** | .28m

Power

**110 HP** Jet Propelled Yanmar Turbo Diesel  
**135 HP** Jet Propelled FNM Turbo Diesel  
**155 HP** Textron MPE 850 Gasoline-Jet

**Top Speed 33kn | 38mph | 61kph**

Capacity

Seating **9 Adults**      Fuel **24G** | 90L      Water **7G** | 26.5L



## CC130

**1050 - 1175 LBS | 475 - 530kg**

Length **13'6"** | 4.11m      Beam **6'** | 1.83m      Draft **9"** | .22m

Power

**120 HP** Textron MPE 850 Gasoline-Jet  
**155 HP** Textron MPE 850 Gasoline-Jet

**Top Speed 39kn | 45mph | 72kph**

Capacity

Seating **7 Adults**      Fuel **13G** | 49L      Water **7G** | 26.5L



## CC110

**850 - 975 LBS | 385 - 440 Kg**

Length **11'6"** | 3.5m      Beam **5'8"** | 1.73m      Draft **9"** | .22m

Power

**120 HP** Textron MPE 850 Gasoline-Jet

**Top Speed 38kn | 44mph | 70kph**

Capacity

Seating **5 Adults**      Fuel **13G** | 49L      Water **7G** | 26.5L



# Standard Features & Options

Standard ●  
Option ○

## Power

	110	130	160	180
120 HP Textron MPE 850: Standard output four-stroke engine with Textron jet propulsion	●	●		
155 HP Textron MPE 850: high output four-stroke engine with Textron jet propulsion		○	○	
135 HP FNM Diesel: Diesel engine with Alamarin-Jet propulsion			●	
250 HP FNM Diesel: Diesel engine with Alamarin-Jet propulsion				●
295 HP FNM Diesel: Diesel engine with Alamarin-Jet propulsion				○
110 HP Yanmar Diesel: Diesel engine with Alamarin-Jet propulsion			○	
260 HP Yanmar Diesel: Diesel engine with Alamarin-Jet propulsion				○

## Paint & Finish

Solid Colors	●	●	●	●
Exposed Carbon Fiber Transom	●	●	●	●
Exposed Carbon Fiber Package: Carbon Fiber dash and folding windshield legs	○	○	○	○
Metallics and Clear Coating	○	○	○	○
Exposed Carbon Fiber Waterline	○	○	○	○
Carbon Craft Custom Fiber Tint™	○	○	○	○

## Collar

Single-Tone: closed cell foam wrapped in durable, exterior marine grade vinyl	●	●	●	●
Two-Tone: closed cell foam wrapped in durable, exterior marine grade vinyl	○	○	○	○
Orca Engineered Fabric: closed cell foam wrapped in high strength Orca Fabric	○	○	○	○

## Upholstery

Luxury Interior: Thick foam cushioning, hand wrapped in premium marine vinyl	●	●	●	●
Premium Interior: Yacht matched interior with diamond stitch accents	○	○	○	○

## Deck Treatment

Non-skid Gunwale and Foredeck: painted non-skid gunwale and foredeck	●	●	●	●
Teak Gunwale and Foredeck: hand selected and hand laid teak gunwale and foredeck	○	○	○	○
SeaDek Cockpit: durable & soft non-skid surface throughout the cockpit	●	●	●	●
SeaDek Swim Platform: durable & soft non-skid surface on the swim platform	●	●	●	●
Teak Cockpit: hand selected and laid throughout cockpit	○	○	○	○
Teak Swim Platform: hand selected and laid onto the surface of the swim platform	○	○	○	○

## Storage

Bow: large forward hatch for anchor, life vests and additional gear	●	●	●	●
Seating: storage below bow and forward seats	●	●	●	●
Trunk Storage: fabric lined, lockable dry storage	●	●	●	●
Gunwale Hatches: storage in gunwale for custom beach chairs, dock lines and gear	○	○	○	○
Ski Lockers: large storage space below deck for beach umbrellas, water skis and gear	○	○	○	○

## Technology

	110	130	160	180
Navigation / GPS: Garmin 741xs touchscreen chartplotter	○	○	○	○
Depth Sounder: Airmar in-hull transmitter	○	○	○	○
Premium Audio: Fusion marine stereo, 4 speaker sound system, Bluetooth, amplifier	○	○	○	○
Shore power charging outlet, 12v battery, automatic battery charging relay system	○	○	○	○
Sirius XM Integration: Sirius XM Satellite ready	○	○	○	○
VHF Radio: ICOM VHF radio mounted on console surface	○	○	○	○

## Windshield/Hardtop

Folding Windshield: rotates down for lower clearance when stowing		●	●	●
Folding Hardtop: signature carbon fiber hardtop		○	○	○
LED Flood Lights (2): forward facing, flush mount lights		○	○	○
Low Profile Lopolight: LED running masthead and anchor light - 2 nautical miles		○	○	○
Dome Light: tri-light (red, blue, and warm white)		○	○	○

## Hardware

Billet Styled Deck Fills: hand polished anodized aluminum	●	●	●	●
Folding Cleats (4): hand polished anodized aluminum	●	●	●	●
Stern Tie Downs (2): folding pad eye	●	●	●	●
Bow Tie Down (1): bow eye	●	●	●	●
Lifting Rings (4): folding pad eye flush mount	●	●	●	●
Pop Out Ski-Tow: mounts flush into the transom	○	○	○	○

## Mechanical

ZF Marine Transmission: lightweight reverse transmission with electronic activation			○	○
Instrumentation: tachometer, voltmeter, fuel gauge (optional water gauge)	●	●	●	●
Livorsi electronic throttle with independent bucket control			●	●
Teleflex side mount mechanical throttle	●	●		
Seastar hydraulic helm			●	●
Seastar mechanical helm	●	●		
Jet Cleanout Hatch: access to the jet tunnel from inside the boat			●	●

## Safety

Navigation Lights: 2 nautical mile LED port and starboard navigation lights	●	●	●	●
Anchor / Running Light: quick access removable light	●	●	●	●
Kill Switch: attachable lanyard shuts engine off when disengaged	●	●	●	●
Horn: 10ohm electric horn	●	●	●	●
Fire Extinguisher: mounted for easy access in gunwale hatch	○	○	○	○
Self Bailing Deck Design	●	●	●	●
Automatic Bilge Pump with High Water Alarm	●	●	●	●

## Comfort & Convenience

	110	130	160	180
12V Power Outlet: located in watertight trunk storage compartment	○	○	○	○
USB Power Outlet: located in watertight trunk storage compartment	○	○	○	○
Courtesy Lights: accent lights throughout the cockpit	○	○	○	○
Bow Locker Storage Bag	○	○	○	○
Automatic Shower System: fresh water tank with hand-held shower	○	○	○	○
Cooler: built into the forward console seat	○	○	○	○

## Accessories

Lifting Harness: Spectra 4-point harness, stainless steel clasps, and chafe guards	○	○	○	○
Cradle System: custom deck mounted chocks and a 3-point, stainless steel tie down kit	○	○	○	○
Anchor with Custom Mount	○	○	○	○
Carbon Craft Custom Beach Chairs (2) & Umbrella (1)	○	○	○	○
Carbon Craft Braided Dock Lines (4)	○	○	○	○
Carbon Craft Custom Canvas Cover	○	○	○	○
Custom Dodger		○	○	○
Custom Canopy: Seasmart sun shade with removable carbon fiber poles		○	○	○
Custom Picnic Table: removable, folding table for easy storage				○
Removable Boarding Poles	○	○	○	○
Removable Boarding Ladder	○	○	○	○
Color Changing Underwater Lights	○	○	○	○
Custom Fit Crew Covers: covers to protect interior cushions & upholstery	○	○	○	○

## Hand Selected Materials and Finishes

Every Carbon Craft is built to order, with hand selected treatments available to match your yacht and your personality.

### Natural & Tinted Carbon Fiber

### Yacht Matched Upholstery

### Natural Teak

### Anodized Aluminum

## Paint Color Options

### Solids

Awlcraft 2000 acrylic urethane high gloss topcoat



Color match your tender to the color of your yacht.

### Metallics

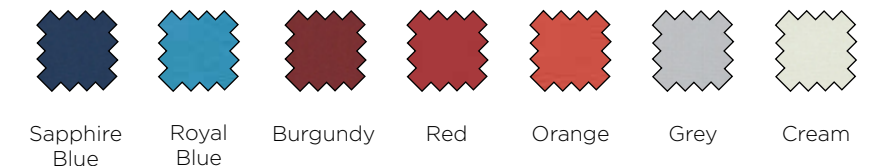
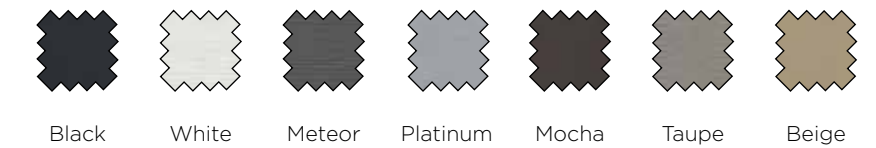
Awlcraft 2000 metallic acrylic urethane high gloss topcoat



Color match your tender to the color of your yacht.

### Collar Fabric

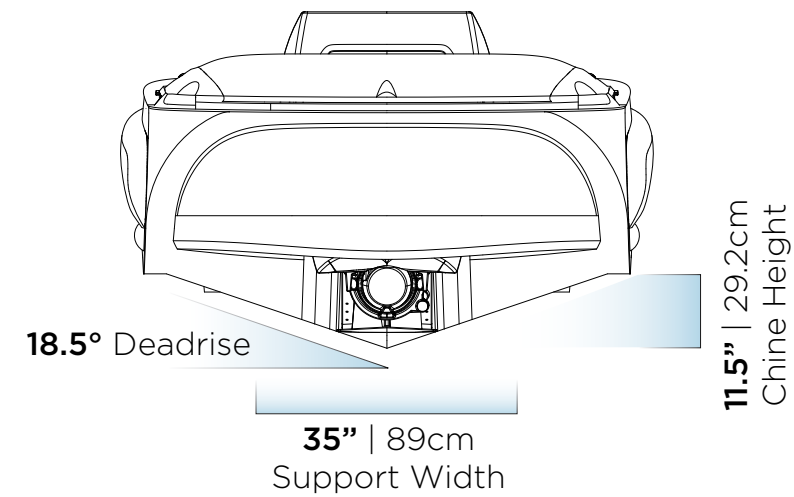
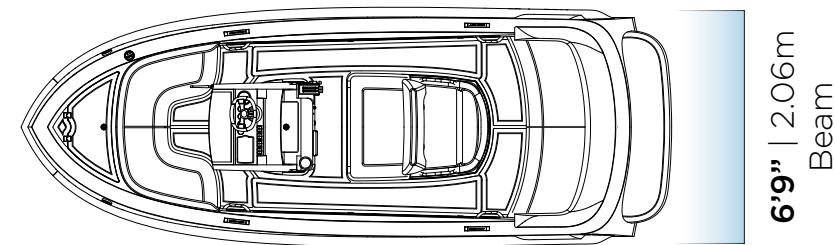
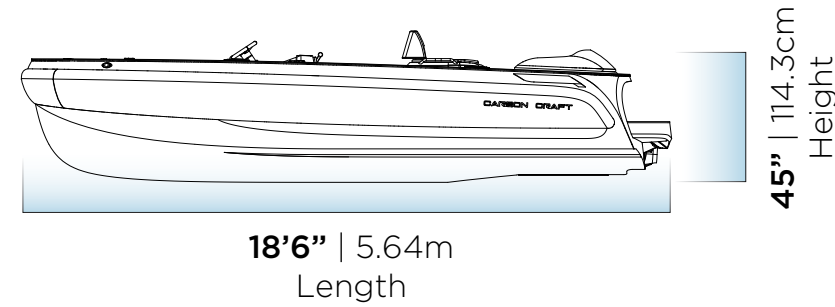
Exterior Marine Vinyl, PermaBlok<sup>3</sup> Advanced Protection



# Yacht Fitment Diagrams

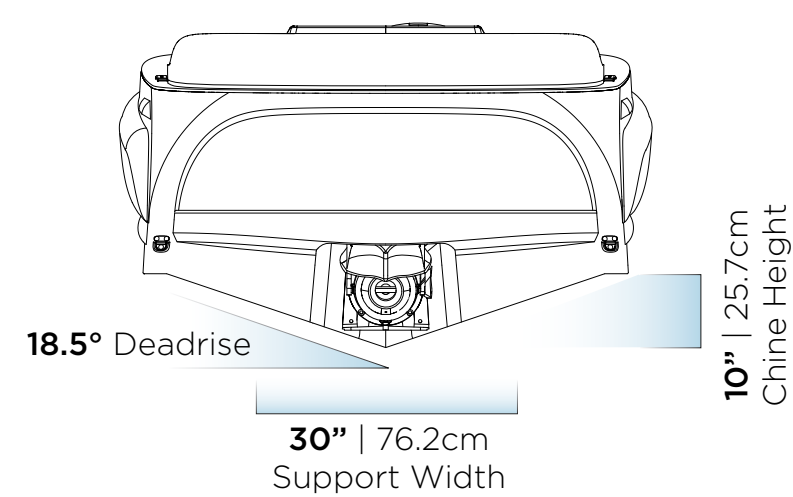
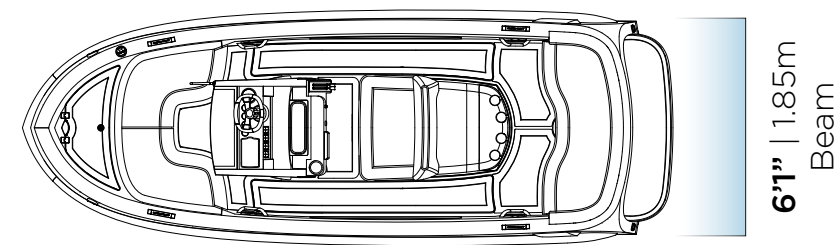
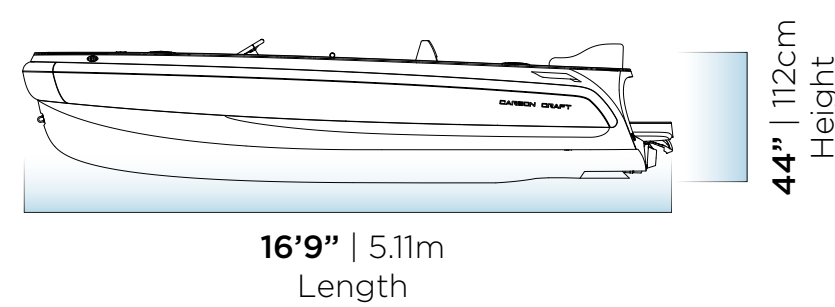
## CC180

2800 - 2950lbs | 1270 - 1340kg



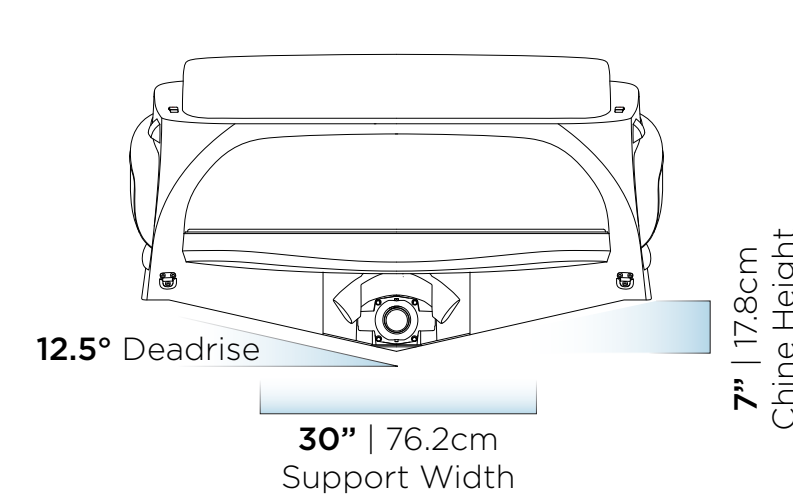
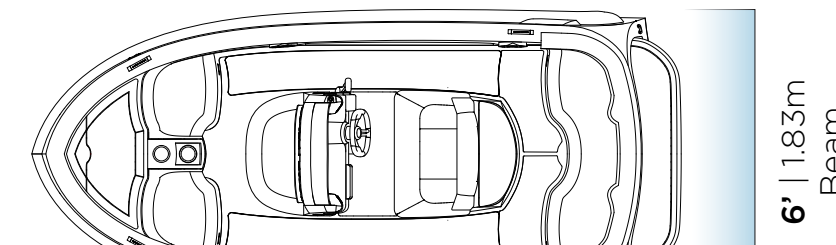
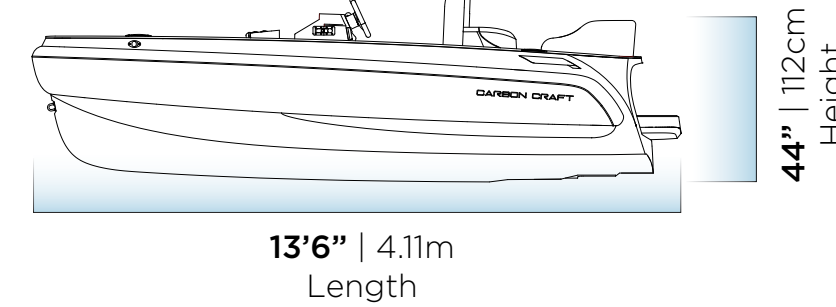
## CC160

1400 - 1950lbs | 635 - 885kg



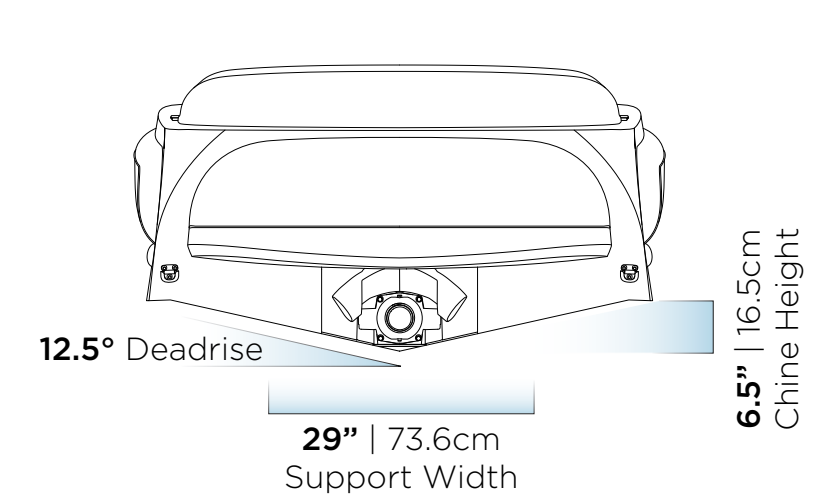
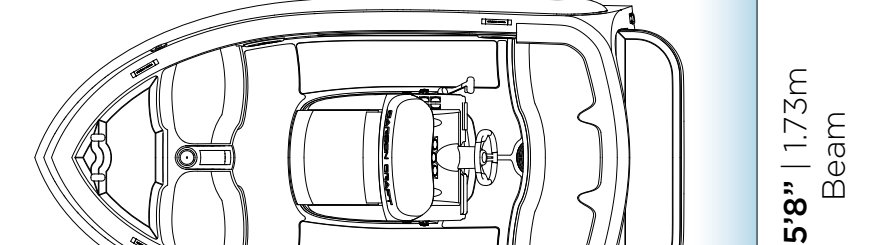
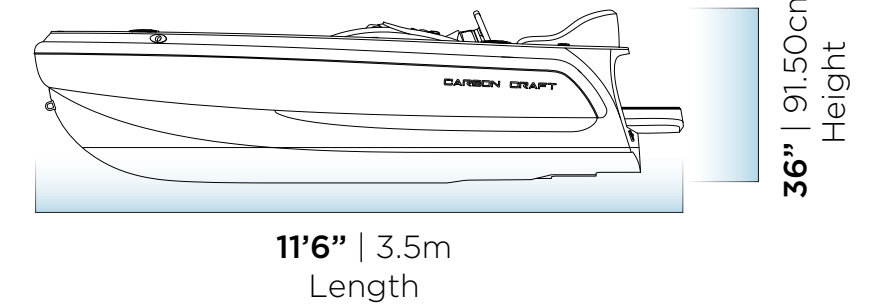
## CC130

1050 - 1175 LBS | 475 - 530kg



## CC110

850 - 975 LBS | 385 - 440 Kg



1515 SE 17th Street #129  
Fort Lauderdale, FL 33316

---

[www.carboncraft.com](http://www.carboncraft.com)  
+1 (800) 709-1387